

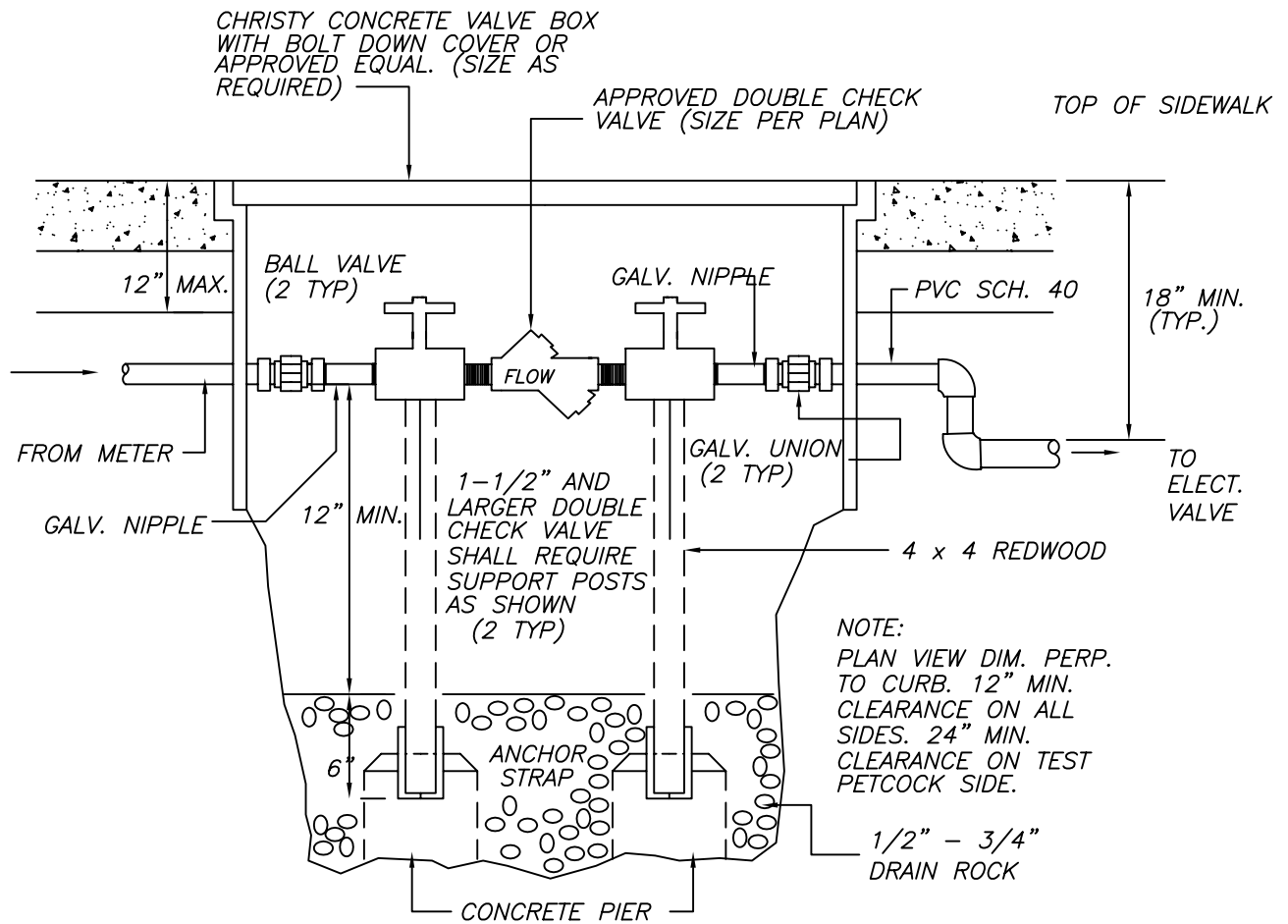
DIAGRAMMATIC IRRIGATION PLAN  
NOT TO SCALE

IRRIGATION LEGEND	
KEY	DESCRIPTION
M	WATER METER INSTALLED BY OTHERS. SEE C.O.R. STANDARD
	DOUBLE CHECK VALVE IN CONCRETE VALVE BOX. SEE C.O.R. STANDARD.
	24 VOLT SOLENOID VALVE. GRISWOLD MODEL NO. 2030 OR EQUAL (IN CONC. VALVE BOX)
	PVC SCH. 40 LATERAL WITH BUBBLER PER C.O.R. STANDARD
	PVC SCH. 80 CONDUIT SEE CABINET DETAIL. C.O.R. STANDARD
	P.G.&E. METER AND RAINBIRD RC-4C CONTROLLER INSTALLED IN A TESCO CABINET WITH CONDUIT. CABINET PER TESCO DWG. NO.COR-112790 OR EQUAL. (SEE DETAIL).

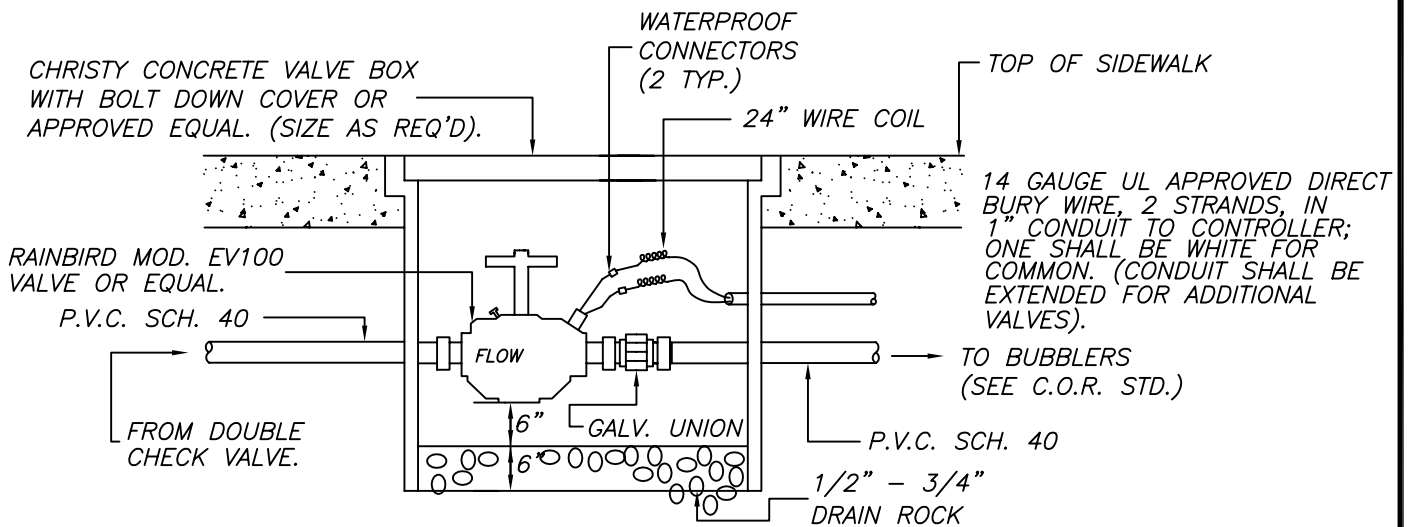
NOTES:

1. THIS PLAN SHALL BE USED WITH C.O.R. STANDARDS.
2. THE ENGINEER OR ARCHITECT SHALL USE THIS PLAN AS A GENERAL GUIDELINE FOR IRRIGATION REQUIREMENTS AS RELATING TO STREET FRONTAGE IMPROVEMENTS WHERE TREE WELLS SHALL BE INSTALLED
3. THE PRIMARY INTENT OF THIS PLAN IS TO DEMONSTRATE THE MINIMUM IRRIGATION DESIGN CALL-OUT REQUIREMENTS OF THE CITY.
4. THE DIAGRAMMATIC IRRIGATION PLAN AS SHOWN ABOVE IS AN EXAMPLE OF MINIMUM REQ'D INFORMATION FOR CONSTRUCTION PURPOSES. THE IRRIGATION PLAN SUBMITTAL SHALL SHOW ALL POINTS OF INSTALLATION AND CONNECTION, AND GIVE DETAILS AS TO HOW INSTALLATION AND CONNECTIONS SHALL BE MADE. PIPES, VALVES, BACKFLOW PREVENTION, WIRING, ETC., SHALL BE PROPERLY SIZED AND INDICATED ON THE SUBMITTED PLANS.
5. PLANS SHALL SHOW ENTIRE PROJECT AREA WITH PROPOSED IRRIGATION SYSTEM, ETC.
6. DETAILS GIVEN ARE DIAGRAMMATIC AND SHALL NOT BE DIRECTLY COPIED ONTO WORKING DRAWINGS. THESE DETAILS SHOW MATERIAL REQUIREMENTS BY THE CITY AND SERVE AS EXAMPLES OF REQ'D INFORMATION FOR INSTALLATION BY A LICENSED LANDSCAPE CONTRACTOR.

NO.	REVISED	BY	<b>Typical Tree Well Irrigation System Requirements</b>	APPROVED
				 CITY ENGINEER RCE-28191
				DATE: 2-2-99
DRAWN BY: MATT			<b>CITY OF RIPON</b>	STANDARD NO. <b>IRR-1</b>
CHECKED BY: DJR				
SCALE: NONE				



**SIDEWALK DOUBLE CHECK VALVE INSTALLATION**

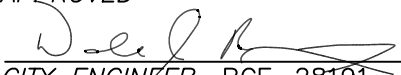


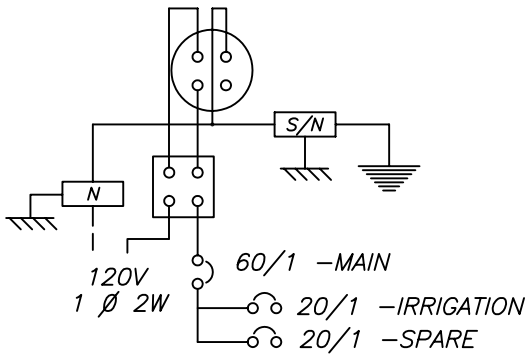
**ELECTRIC VALVE INSTALLATION**

NO.	REVISED	BY
DRAWN BY: MATT		
CHECKED BY: DJR		
SCALE: NONE		

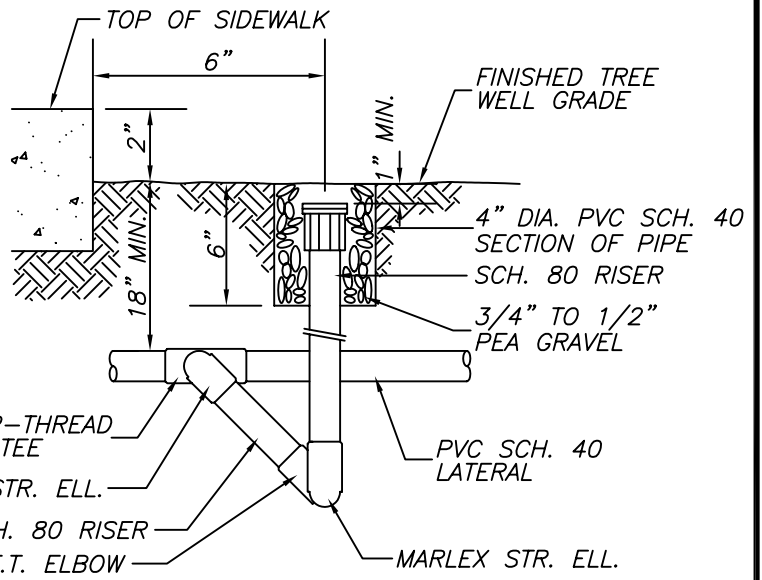
**Typical Tree Well  
Irrigation System  
Requirements**

**CITY OF RIPON**

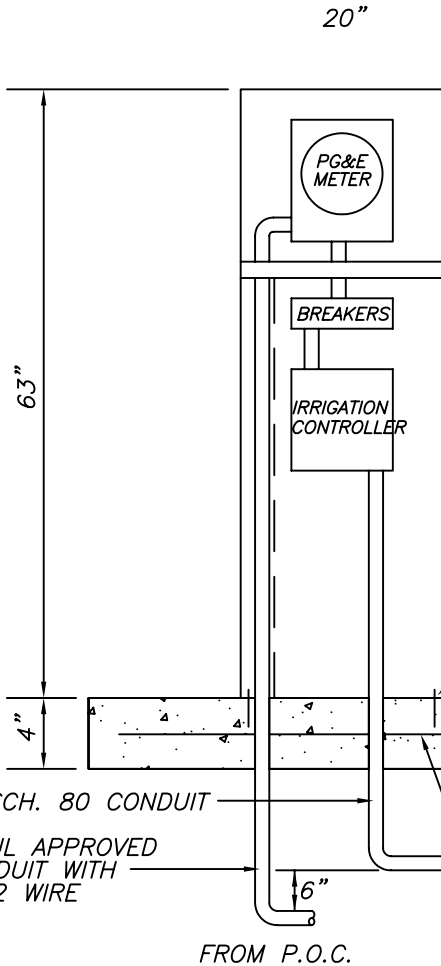
APPROVED

CITY ENGINEER RCE-28191
DATE: 2-2-99
STANDARD NO. <b>IRR-2</b>



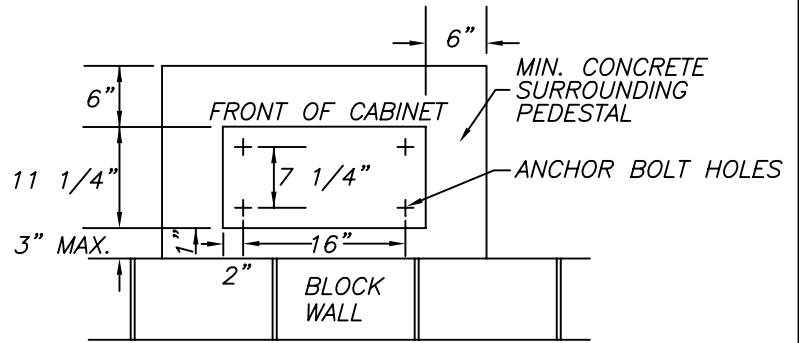
PANEL DIAGRAM



BUBBLER INSTALLATION



SECTION VIEW OF CABINET




PLAN VIEW OF CABINET

NO.	REVISED	BY
DRAWN BY: TP		
CHECKED BY: DJR		
SCALE: NONE		

**Typical Tree Well  
Irrigation System  
Requirements**

**CITY OF RIPON**

APPROVED  
  
 CITY ENGINEER RCE-28191  
 DATE: 2-2-99

STANDARD NO. **IRR-3**