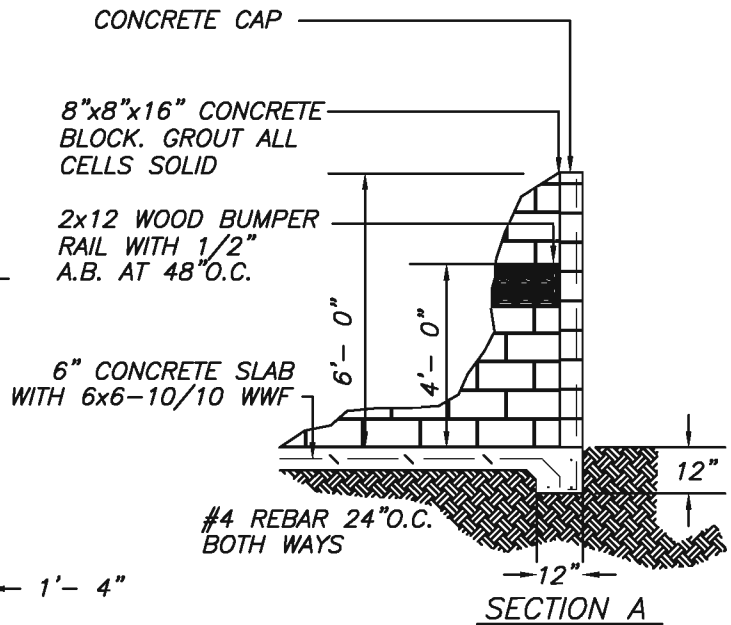
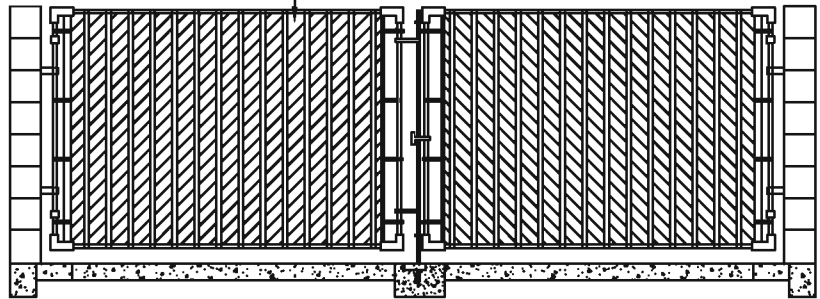


CONCRETE APRON
PLAN VIEW

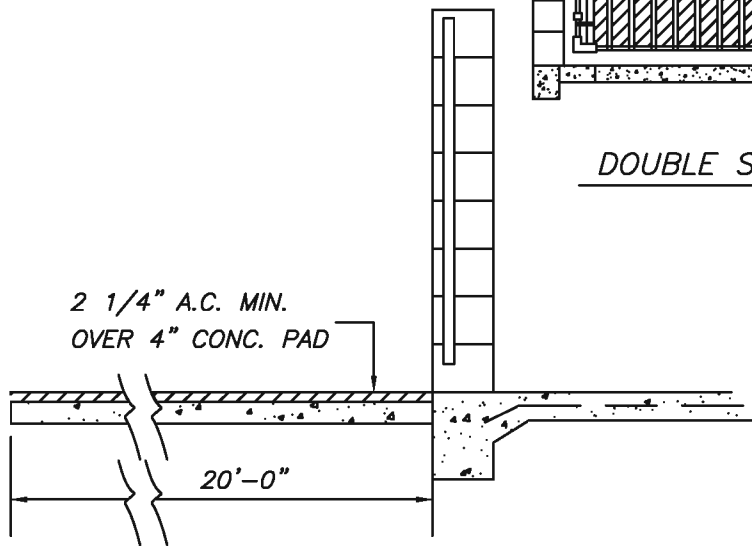


SECTION A

DOUBLE SWING GATE WITH REDWOOD SLATS



DOUBLE SWING GATE WITH REDWOOD SLATS



SECTION B

NO.	REVISED	BY
DRAWN BY: MATT		
CHECKED BY: DJR		
SCALE: NONE		

**10' x 12' Concrete Block
Refuse Container
Enclosure**

CITY OF RIPON

APPROVED

[Signature]
CITY ENGINEER RCE-28T91

DATE: 2-2-99

STANDARD NO. **M-18**