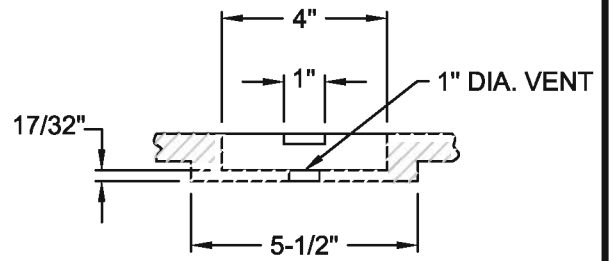
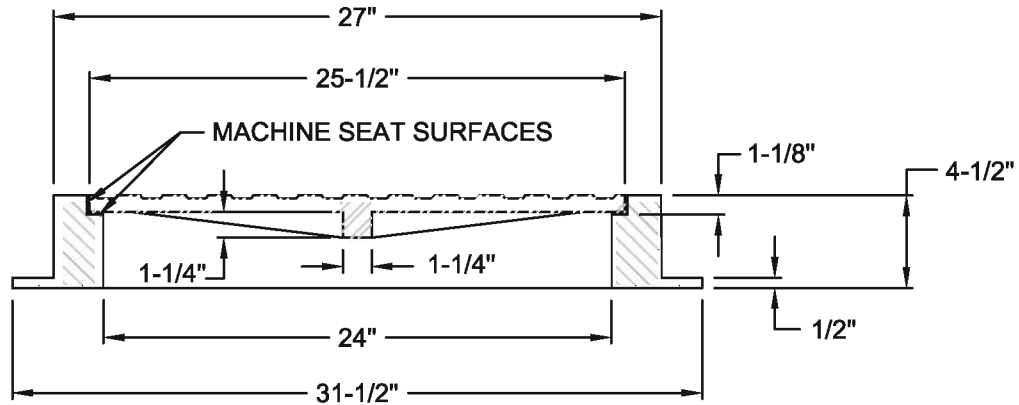


SECTION B-B



SECTION C-C




SECTION A-A

NOTES:

1. STORM DRAIN MANHOLES SHALL HAVE THE WORDS "STORM DRAIN" CASTED IN THE MANHOLE COVER AT THE LOCATION SHOWN ABOVE.
2. FRAME AND COVER SHALL BE MANUFACTURED OF CAST IRON CONFORMING TO A.S.T.M. A-48 CLASS 30.
3. FRAME AND COVER SHALL BE H-20 RATED.
4. FRAME SHALL WEIGH 140 LBS. MINIMUM AND COVER SHALL WEIGH 130 LBS. MINIMUM.

NO.	REVISED	BY
DRAWN BY: MCP		
CHECKED BY: DJR		
V:\25_City of Ripon Standards\Standard Specifications\Drawings\Storm\SD-15.dwg		

**Storm Drain
Manhole Frame
and Cover**

APPROVED

 CITY ENGINEER RCE-28191
 DATE: 2-2-99

CITY OF RIPON

STANDARD NO. **SD-15**