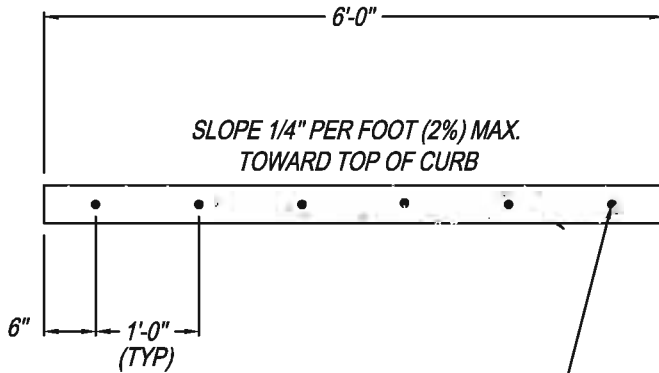
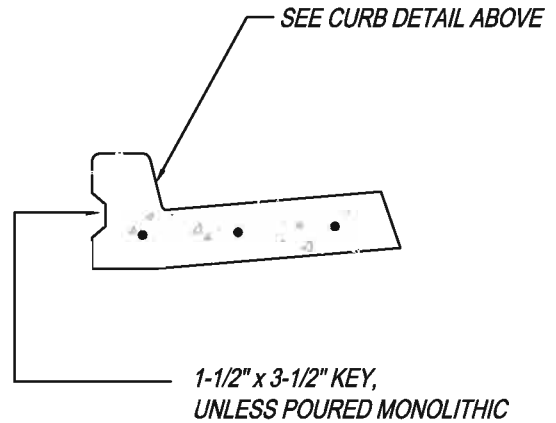


THREE (3) 5/8" x 24" LONG STEEL DOWELS  
GREASED AND WRAPPED, ONE SIDE,  
THRU EVERY EXPANSION JOINT. (TYP)

SEE NOTE 6



SIX (6) 5/8" x 24" LONG STEEL DOWELS  
GREASED AND WRAPPED, ONE SIDE,  
THRU EVERY EXPANSION JOINT. (TYP)



## NOTES

1. FINE HAIR BROOM FINISH ON CURB, GUTTER, AND SIDEWALK.
2. CONSTRUCTION SHALL BE IN ACCORDANCE WITH THE APPLICABLE SECTIONS OF THE CURRENT CITY OF RIPON SPECIFICATIONS.
3. CONSTRUCT EXPANSION JOINTS 200' C.C. MAXIMUM, AT CURB RETURNS, AT CATCH BASINS, AND AT BOTH SIDES OF DRIVEWAYS.
4. MATERIAL UNDER SIDEWALK AND GUTTER SHALL BE COMPACTED TO 95% RELATIVE COMPACTION FOR A DEPTH OF 8".
5. IN THE SIDEWALK AREA, TRANSVERSE SCORE MARKS SHALL BE SPACED AT 6' ON CENTER.
6. CONCRETE PAVER STREETS WILL HAVE A VERTICAL GUTTER REVEAL.

NO.	REVISED	BY	<b>6" Vertical Curb, Gutter, and Sidewalk</b>	APPROVED
				<i>[Signature]</i> CITY ENGINEER RCE-28191
				DATE: 2-2-99
DRAWN BY: MCP			<b>CITY OF RIPON</b>	STANDARD NO. <b>ST-21</b>
CHECKED BY: DJR				
V:\25_City of Ripon Standards\Standard Specifications\Drawings\Streets\st-21.dwg				