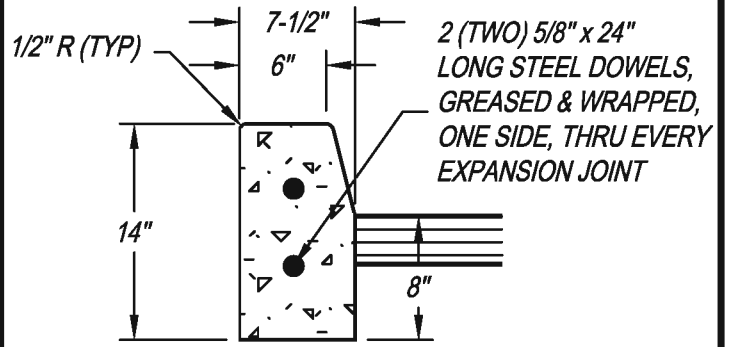


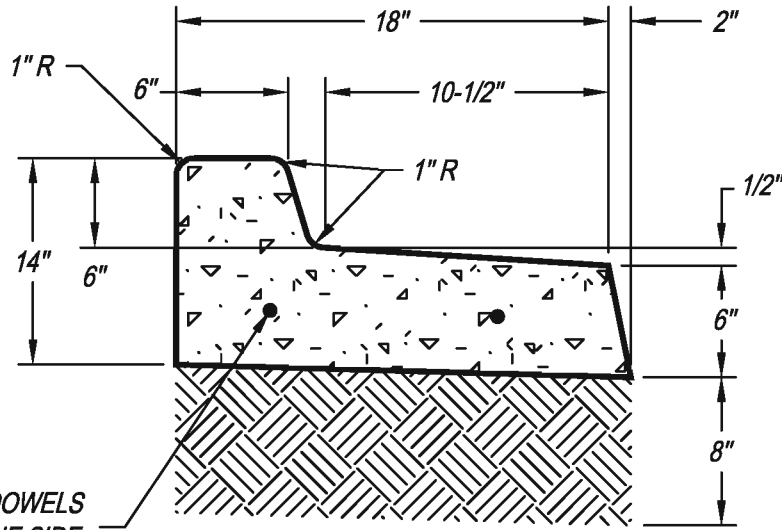
**TYPE "E" CURB**

FOR USE ON TRAFFIC ISLANDS  
IN EXISTING STREETS ONLY



**TYPE "D" CURB**

SHALL BE USED FOR HIGH SIDE OF FRONTAGE  
ROADS AND TRAFFIC ISLANDS IN NEW STREETS



2 (TWO) 5/8" x 24" LONG STEEL DOWELS  
GREASED AND WRAPPED, ONE SIDE,  
THRU EVERY EXPANSION JOINT

**TYPE "C" CURB AND APRON  
FOR USE ON MEDIANS**

**NOTES:**

1. FINE HAIR BROOM FINISH ON CURB AND GUTTER.
2. CONSTRUCTION SHALL BE IN ACCORDANCE WITH THE APPLICABLE SECTIONS OF THE CURRENT CITY OF RIPON SPECIFICATIONS.
3. CONSTRUCT EXPANSION JOINTS 200 FT CENTER TO CENTER MAXIMUM, AT CURB RETURNS, AT CATCH BASINS, AND AT BOTH SIDES OF DRIVEWAYS.
4. MATERIAL UNDER CURB AND GUTTER SHALL BE COMPACTED TO 95 % RELATIVE COMPACTION FOR A DEPTH OF 8".
5. FOR ANCHORING TYPE "E" CURB TO SURFACE SEE SECTION 73-1.05 B OF THE CALTRANS STANDARD SPECIFICATIONS.
6. SIDEWALK PLACED BEHIND TYPE C CURB AND GUTTER SHALL BE 6'-0" MINIMUM WIDTH.
7. MINIMUM GUTTER SLOPE SHALL BE 0.0033.

NO.	REVISED	BY
DRAWN BY: MCP		
CHECKED BY: DJR		
V: 125_City of Ripon Standards   Standard Specifications   Drawings   Streets   st-21b.dwg		

**Type 'C', 'D' and 'E'  
Curb and Gutter**

**CITY OF RIPON**

APPROVED

*[Signature]*

CITY ENGINEER RCE-28191

DATE: 2-2-99

STANDARD NO. **ST-21b**