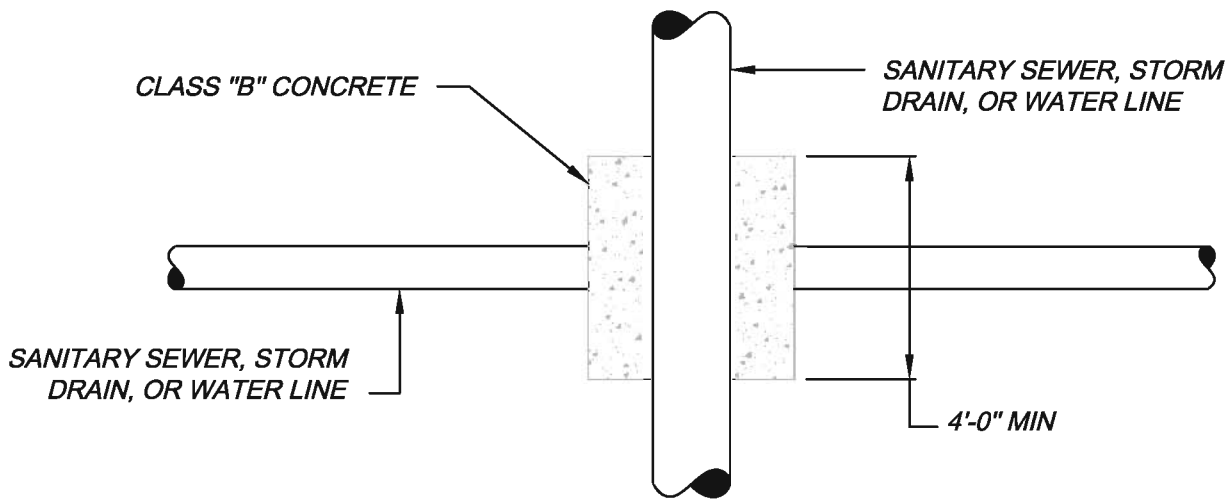
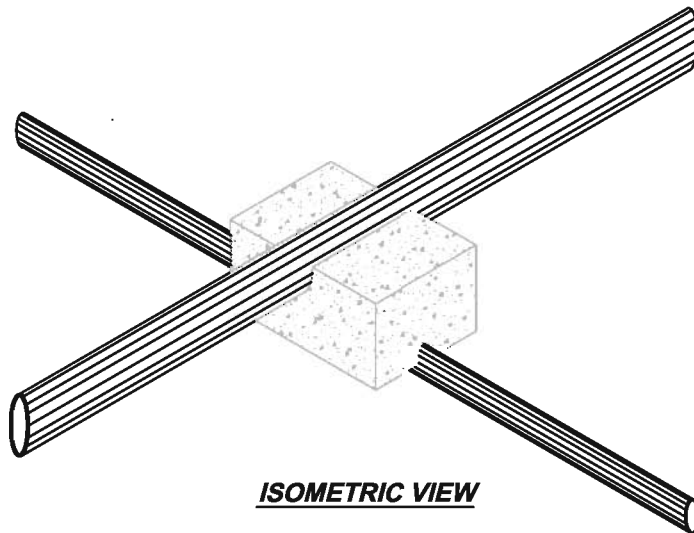


SECTION VIEW



PLAN VIEW



ISOMETRIC VIEW

NOTES:

- 1. APPLICABLE IN CASES WHERE CLEARANCE IS LESS THAN 12 INCHES.

NO.	REVISED	BY
DRAWN BY: MCP		
CHECKED BY: DJR		
V:\25_City of Ripon Standards\Standard Specifications\Drawings\Utilities\U-5.dwg		

Concrete Saddle Detail

CITY OF RIPON

APPROVED

[Signature]
CITY ENGINEER RCE-28191

DATE: 2-2-99

STANDARD NO. **U-5**