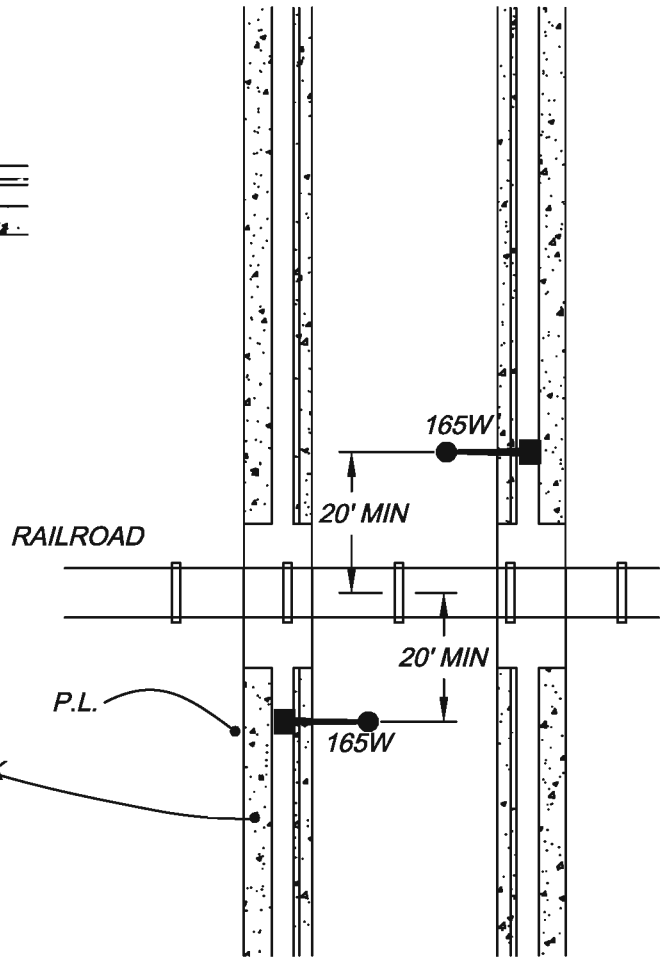
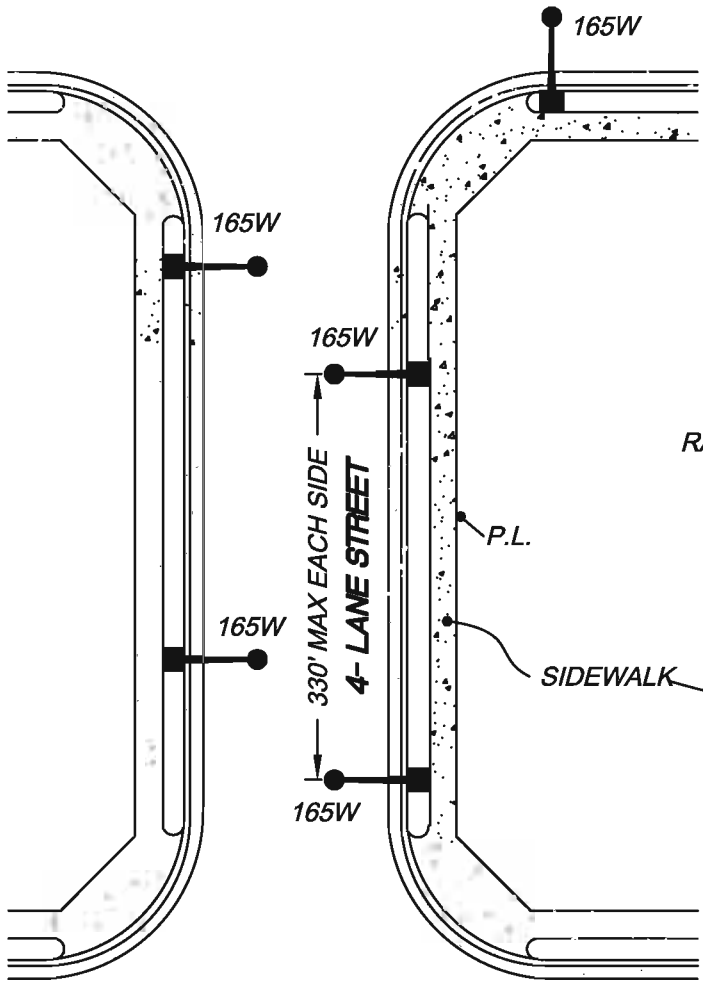
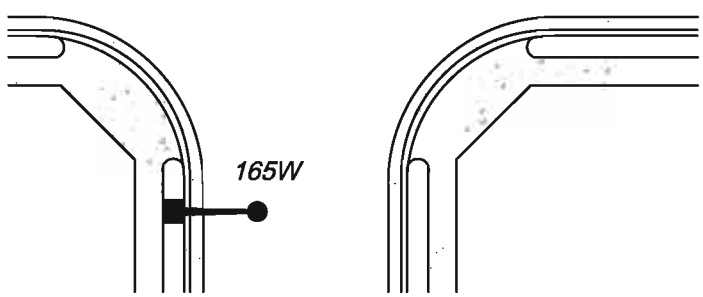


4-LANE STREET



2-LANE STREET




NOTES:

WHEN POLE LOCATION CONFLICTS WITH FIRE HYDRANT, CURB RAMP, OR OTHER EXISTING OR PROPOSED FACILITY, PLACE AS DIRECTED BY THE ENGINEER.

NO.	REVISED	BY
DRAWN BY: MATT		
CHECKED BY: DJR		
V:\25_City of Ripon Standards\Standard Specifications\Drawings\Lighting\L-5.dwg		

**Locations of
165 Watt Lights**

CITY OF RIPON

APPROVED

CITY ENGINEER RCE-28191
DATE: 2-2-99
STANDARD NO. L-5