

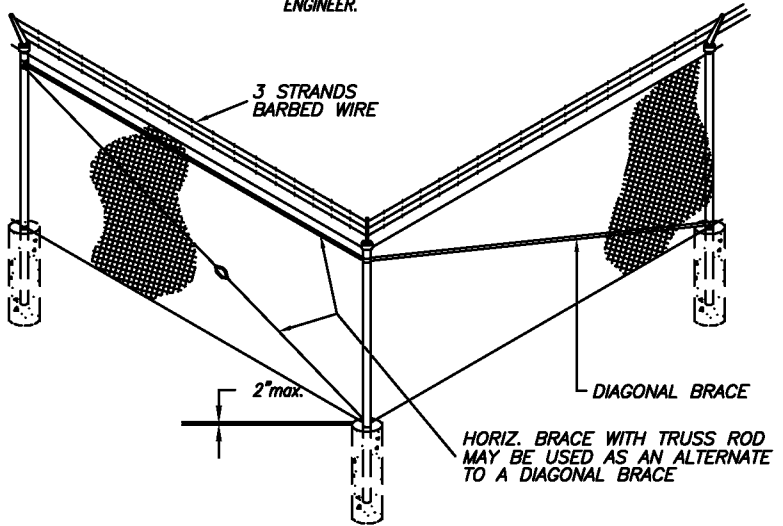
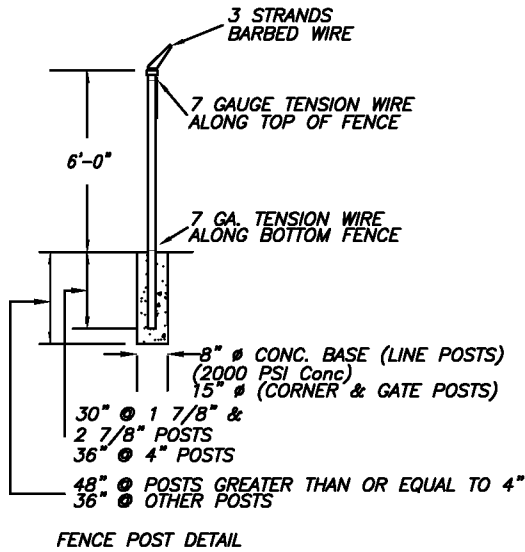
TYPICAL MEMBER DIMENSIONS (SEE NOTES)										
FENCE HEIGHT	LINE POSTS			END, LATCH & CORNER POSTS			BRACES			
	ROUND (I.D.)	H	ROLL FORMED	ROUND (I.D.)	ROLL FORMED		ROUND (I.D.)	H	ROLL FORMED	
6' AND LESS	1-1/2"	1-7/8" X 1-5/8"	1-7/8" X 1-5/8"	2"	3-1/2" X 3-1/2"	2" X 1-3/4"	1-1/4"	1-1/2" X 1-5/16"	1-5/8" X 1-1/4"	1-3/4" X 1-1/4"
OVER 6' AND OR W/ FABRIC	2"	2-1/4" X 2"	2" X 1-3/4"	2-1/2"	3-1/2" X 3-1/2"	2-1/2" X 2-1/2"	1-1/4"	1-1/2" X 1-5/16"	1-5/8" X 1-1/4"	1-3/4" X 1-1/4"

NOTES:

1. THE ABOVE TABLE SHOWS EXAMPLES OF POST AND BRACE SECTIONS WHICH MAY COMPLY WITH THE SPECIFICATIONS.
2. SECTIONS SHOWN IN THE TABLES MUST ALSO COMPLY WITH THE STRENGTH REQUIREMENTS AND OTHER PROVISIONS OF THE SPECIFICATIONS.
3. OTHER SECTIONS WHICH COMPLY WITH THE STRENGTH REQUIREMENTS AND OTHER PROVISIONS OF THE SPECIFICATIONS MAY BE USED ON APPROVAL OF THE ENGINEER.
4. OPTIONS EXERCISED SHALL BE UNIFORM ON ANY ONE PROJECT.
5. DIMENSIONS SHOWN ARE NOMINAL.
6. THE FABRIC SHALL BE ZINC COATED, ON. 9 GAGE WOVEN IN A 2" X 2" OR A 3-1/2" X 5-1/2" MESH, (FOR REDWOOD PICKETS).
7. PICKETS SHALL BE MADE OF STANDARD GRADE "A" STAINED REDWOOD PICKETS INSERTED VERTICALLY IN EACH MESH OF THE CHAIN LINK FABRIC (3-1/2" X 5-1/2").

GATE POST			
FENCE HEIGHT	GATE WIDTHS	NOMINAL ID	WEIGHT PER FOOT
6'-0" AND LESS	UP THRU 6' OVER 6'	2-1/2"	4.95
	THRU 12' OVER 12'	4"	10.79
	THRU 18' OVER 18'	5"	14.62
	TO 24' MAX.	6"	18.97
OVER 6'	UP THRU 6' OVER 6'	2-1/2"	4.95
	THRU 12' OVER 12'	4"	10.79
	THRU 18' OVER 18'	5"	14.62
	TO 24' MAX.	6"	18.97

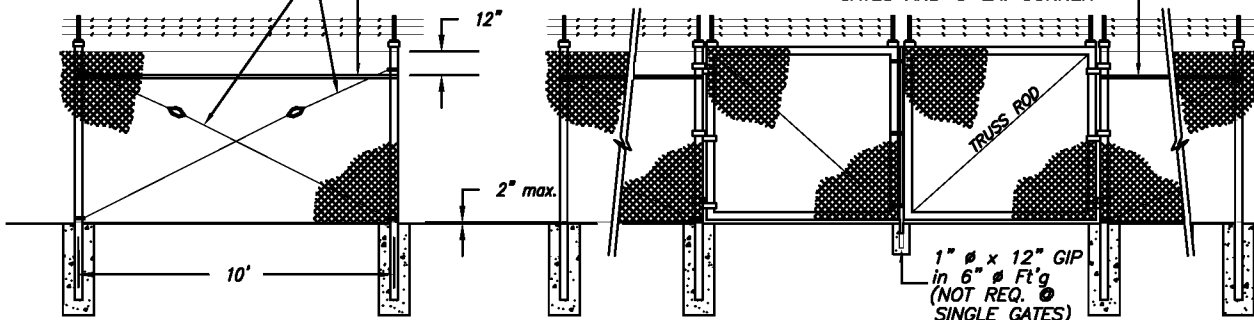
ABOVE POST DIMENSIONS AND WEIGHTS ARE MINIMUMS. LARGER SIZES MAY BE USED WITH APPROVAL OF ENGINEER.



BRACE TO BE REMOVED AFTER ALL OTHER FENCE CONSTRUCTION IS COMPLETED UNLESS OTHERWISE DIRECTED BY THE ENGINEER

HORIZ. BRACE W/ 3/8" DIA. TRUSS RODS

1 5/8" O.D. HORIZ. PIPE W/ 3/8" DIA. TRUSS ROD PROVIDE @ EA. SIDE OF GATES AND @ EA. CORNER



LINE POSTS @ 500' MAX. INTERVALS BRACED & TRUSSED IN BOTH DIRECTIONS

GATE DETAIL

NO.	REVISED	BY
DRAWN BY: TP		
CHECKED BY: DJR		
SCALE: NONE		

Chain Link Fence Standards

CITY OF RIPON

APPROVED
CITY ENGINEER RCE-28191
DATE: 2-2-99
STANDARD NO. M-14