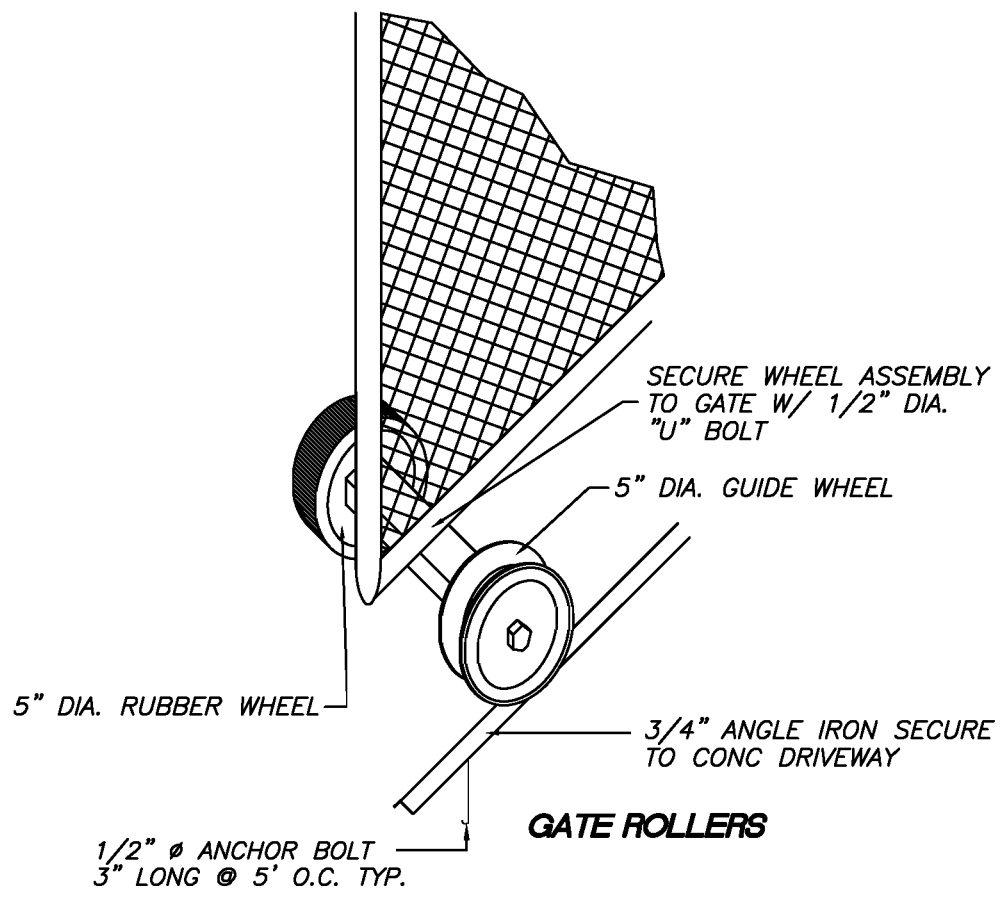


**GATE TO FENCE ROLLER**



NO.	REVISED	BY	<b>Gate Rollers Detail</b>	APPROVED
				<i>Dale J. Brown</i>
				CITY ENGINEER RCE-28191
DRAWN BY: MCP				DATE: 2-2-99
CHECKED BY: DJR			<b>CITY OF RIPON</b>	STANDARD NO. <b>M-20</b>
SCALE: NONE				