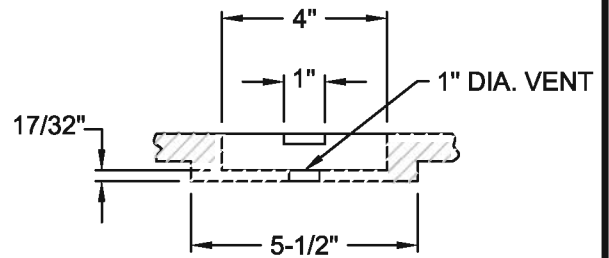
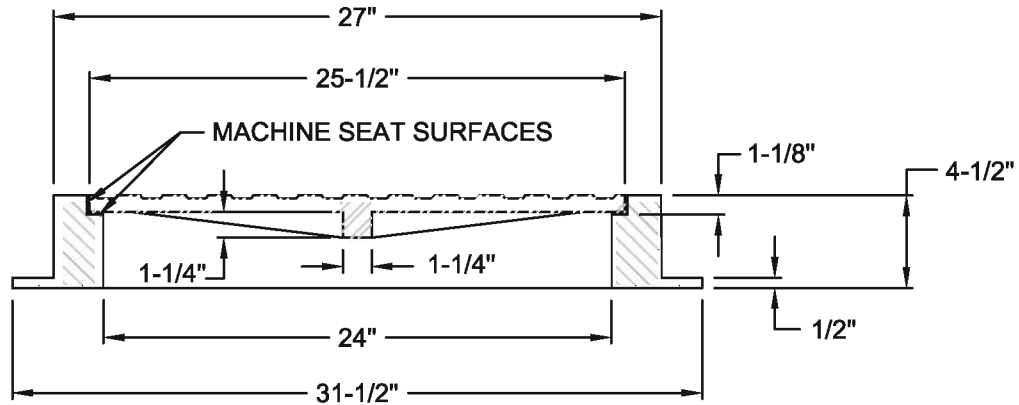


SECTION B-B



SECTION C-C



SECTION A-A

NOTES:

1. SEWER MANHOLES SHALL HAVE THE WORDS "SEWER" CASTED IN THE MANHOLE COVER AT THE LOCATION SHOWN ABOVE.
2. FRAME AND COVER SHALL BE MANUFACTURED OF CAST IRON CONFORMING TO A.S.T.M. A-48 CLASS 30.
3. FRAME AND COVER SHALL BE H-20 RATED.
4. FRAME SHALL WEIGH 140 LBS. MINIMUM AND COVER SHALL WEIGH 130 LBS. MINIMUM.

NO.	REVISED	BY
DRAWN BY: MCP		
CHECKED BY: DJR		
V:\25_City of Ripon Standards\Standard Specifications\Drawings\Sewer\S-8.dwg		

**Sanitary Sewer
Manhole Frame
and Cover**

CITY OF RIPON

APPROVED
[Signature]
CITY ENGINEER RCE-28191

DATE: 2-2-99

STANDARD NO. **S-8**