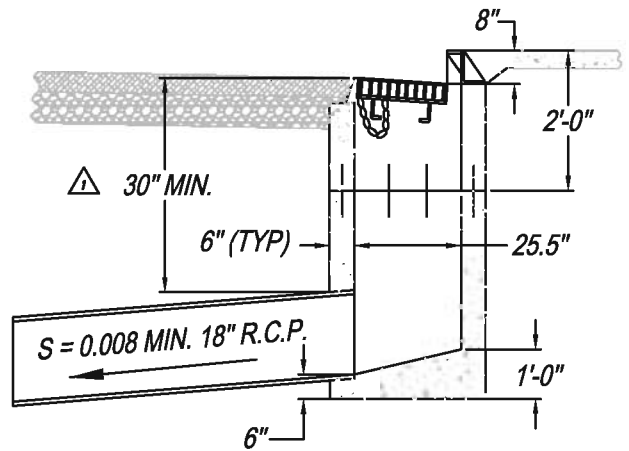


SECTION A-A



SECTION B-B

NOTES:

1. PRECAST CATCH BASIN MAY BE USED.
2. CATCH BASIN WALLS MAY BE POURED TO AN ELEVATION NOT LESS THAN 2'-0" BELOW TOP OF CURB. IT SHALL BE THE RESPONSIBILITY OF THE CONTRACTOR TO FRAME IN AND POUR THE UPPER 2'-0" OF THE CATCH BASIN MONOLITHICALLY WITH THE CURB AND GUTTER.
3. GRATE AND FRAME SHALL CONFORM TO CITY OF RIPON STANDARD SD-7.
4. TYPE 2 CATCH BASIN TO BE INSTALLED IN INDUSTRIAL AND COMMERCIAL AREAS AS REQUIRED BY THE CITY OF RIPON.
5. CATCH BASIN RIM TO BE SET 1-1/2" BELOW FLOWLINE OF GUTTER.

NO.	REVISED	BY	Type 2 Curb Inlet Catch Basin	APPROVED
▲	1-2003	MJM		 CITY ENGINEER RCE-28191
DRAWN BY: MCP				DATE: 2-2-99
CHECKED BY: DJR			CITY OF RIPON	STANDARD NO. SD-7a
V:125 City of Ripon Standards Standard Specifications Drawings Storm SD-7a.dwg				