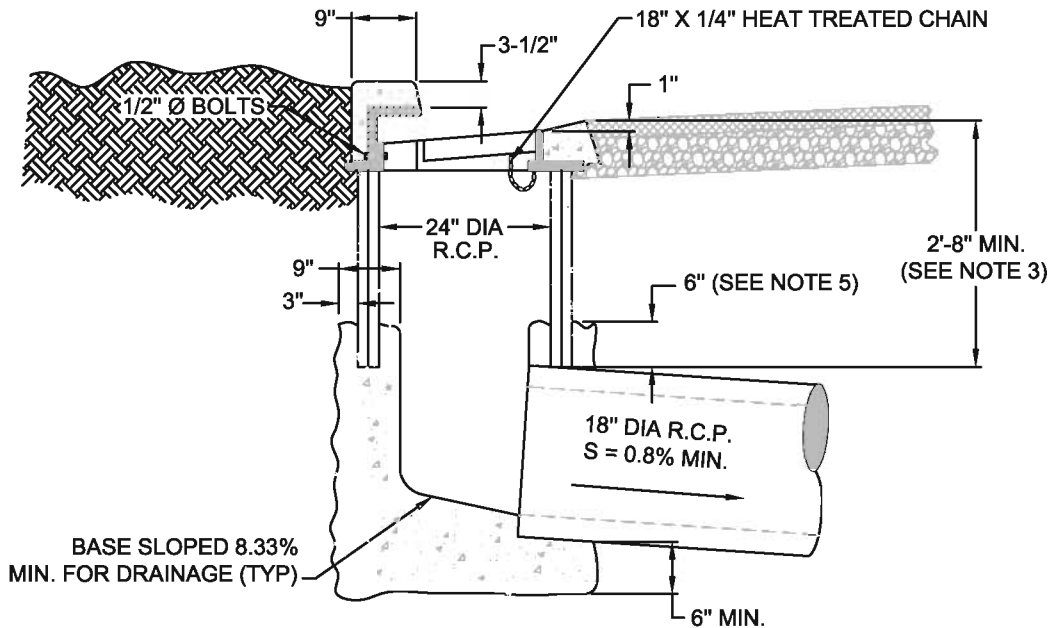


PLAN VIEW



SECTION VIEW

NOTES:

1. ALL EXPOSED STEEL SHALL BE GALVANIZED AFTER FABRICATION.
2. CHAIN GRATE TO FRAME
3. 2'-8" MIN. BELOW PAVING IN NEW STREET DEVELOPMENT, IN EXISTING STREETS 2'-0" MAY BE USED WITH APPROVAL OF CITY ENGINEER.
4. 24" PIPE BARREL SHALL BE CLASS II, R.C.P. NO BELL OR SPIGOTS ARE ALLOWED TO BE USED IN THE RISER PIPE BARREL, UNLESS THE CATCH BASIN IS DEEP ENOUGH TO CALL FOR TWO STICKS OF CONCRETE PIPE.
5. 24" R.C.P. RISER PIPE MUST BE WET SET INTO CATCH BASIN BASE WHILE CONCRETE IS STILL WET TO INSURE PROPER BONDING AND SEALING BETWEEN BASE AND CATCH BASIN RISER.

| | | | | | |
|--|---------|----|---|--------------------|---|
| NO. | REVISED | BY | <p>24" Round Curb Inlet Catch Basin Detail</p> | APPROVED | <p><i>[Signature]</i> CITY ENGINEER RCE-28191</p> |
| | | | | DATE: 2-2-99 | |
| DRAWN BY: TP | | | | STANDARD NO. SD-8a | |
| CHECKED BY: DJR | | | CITY OF RIPON | | |
| V:\25 City of Ripon Standards\Standard Specifications\Drawings\Storm\SD-8a.dwg | | | | | |