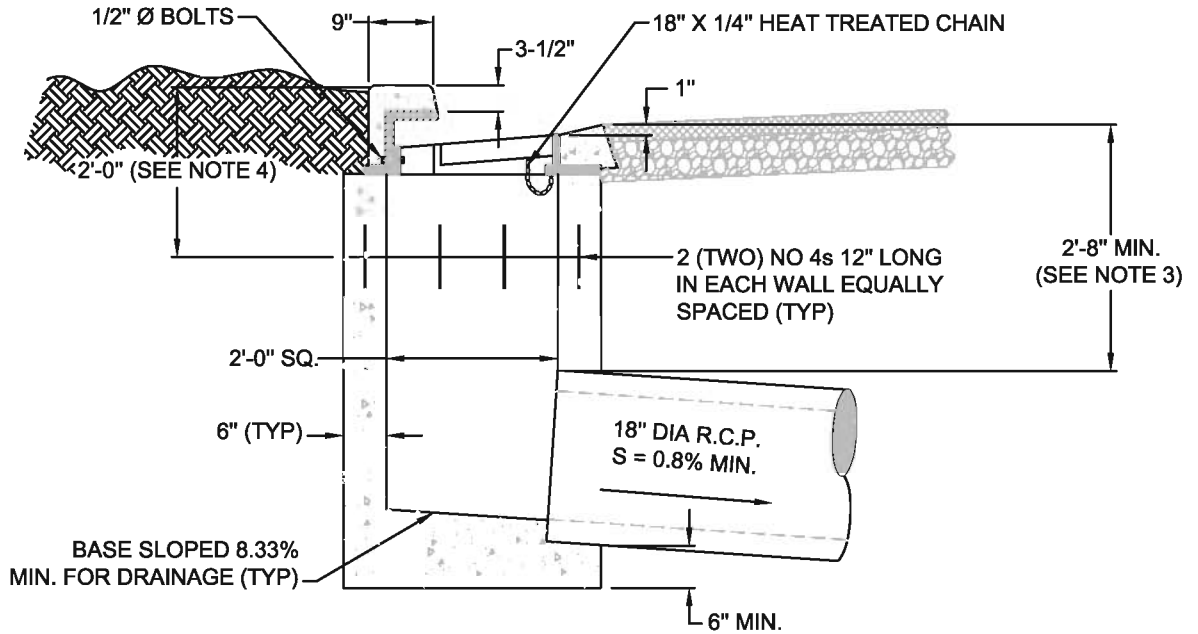


PLAN VIEW



SECTION VIEW

NOTES:

1. ALL EXPOSED STEEL SHALL BE GALVANIZED AFTER FABRICATION.
2. CHAIN GRATE TO FRAME
3. 2'-8" MIN. BELOW PAVING IN NEW STREET DEVELOPMENT, IN EXISTING STREETS 2'-0" MAY BE USED WITH APPROVAL OF CITY ENGINEER.
4. CATCH BASIN WALLS MAY BE POURED TO AN ELEVATION NOT LESS THAN 2'-0" BELOW TOP OF CURB. IT SHALL BE THE RESPONSIBILITY OF THE CONTRACTOR TO FRAME IN AND POUR THE UPPER 2'-0" OF THE CATCH BASIN MONOLITHICALLY WITH THE CURB AND GUTTER.

NO.	REVISED	BY
DRAWN BY: TP		
CHECKED BY: DJR		
V:\25_City of Ripon Standards\Standard Specifications\Drawings\Storm\SD-8b.dwg		

**24" Square
Curb Inlet Catch
Basin Detail**

CITY OF RIPON

APPROVED
<i>Matthew MacDade</i>
CITY ENGINEER 58093
DATE: 11-7-00
STANDARD NO. SD-8b