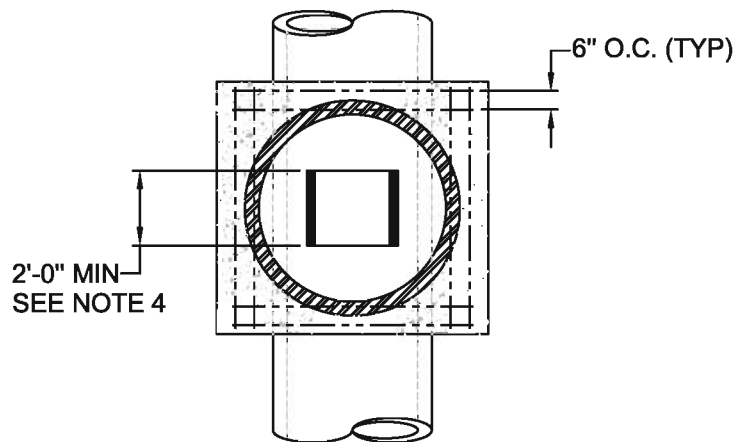
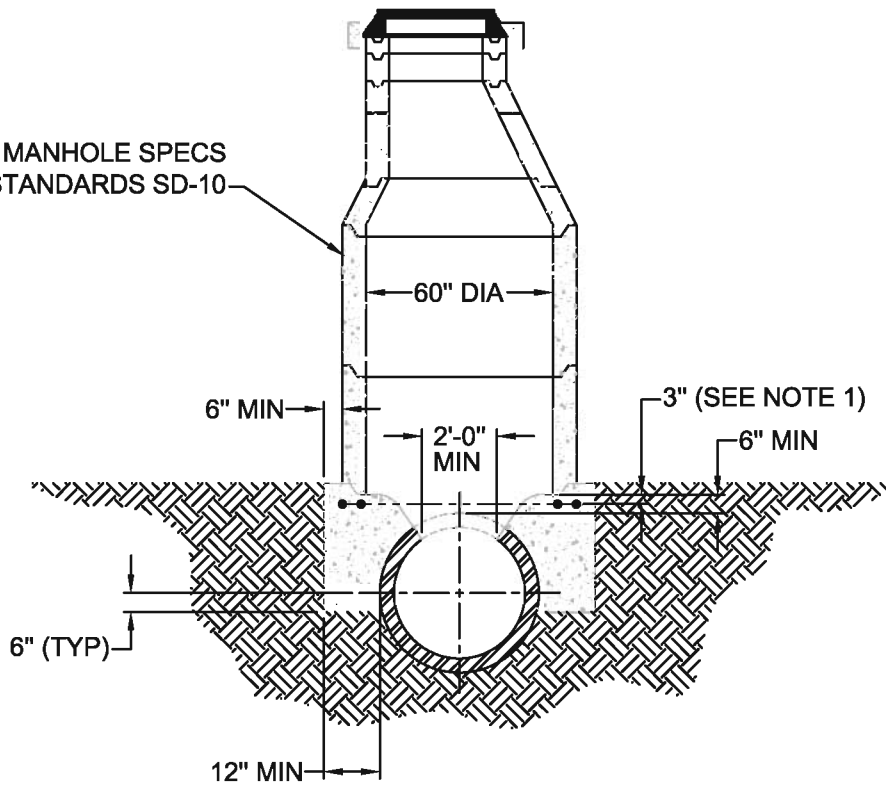



FOR TOP PART OF MANHOLE SPECS
SEE CITY OF RIPON STANDARDS SD-10



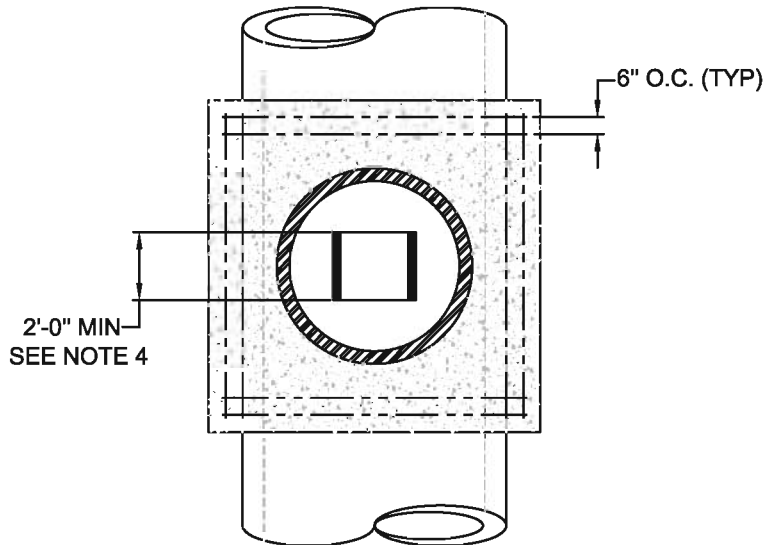
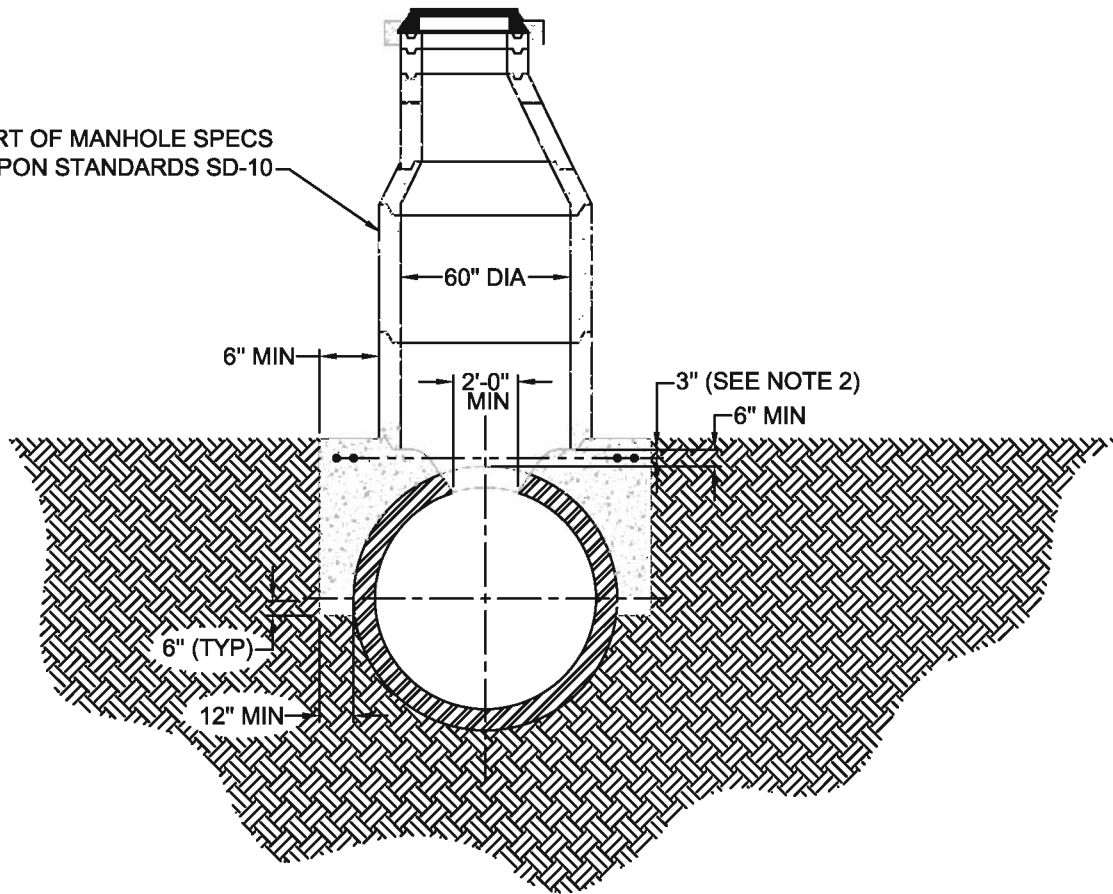
EXAMPLE OF 42" R.C.P. DETAIL

NOTES:

1. 2 (TWO) #5 REBAR EACH WAY ON 6" CENTERS.
2. BASE SHALL BE CLASS "B" CONCRETE.
3. SADDLE MANHOLES SHALL ONLY BE ALLOWED ON STORM DRAIN PIPE GREATER THAN 36 INCHES IN DIAMETER, PROVIDED THAT NO JUNCTION EXISTS WITH ANY OTHER STORM DRAIN PIPE AT THE MANHOLE.
4. 2'-0" SQUARE OR ROUND HOLE MINIMUM SAW CUT THROUGH REINFORCED CONCRETE PIPE ONLY.

NO.	REVISED	BY	<p>Type 2 Manhole for Pipe 36" Diameter and Larger</p>	APPROVED	 CITY ENGINEER RCE-28191
				DATE: 2-2-99	
DRAWN BY: MCP				STANDARD NO. SD-12	
CHECKED BY: DJR			CITY OF RIPON		
V:\25_City of Ripon Standards\Standard Specifications\Drawings\Storm\SD-12.dwg					


FOR TOP PART OF MANHOLE SPECS
SEE CITY OF RIPON STANDARDS SD-10



EXAMPLE OF 78" R.C.P. DETAIL

NOTES:

1. 2 (TWO) #5 REBAR EACH WAY ON 6" CENTERS.
2. BASE SHALL BE CLASS "B" CONCRETE.
3. SADDLE MANHOLES SHALL ONLY BE ALLOWED ON STORM DRAIN PIPE GREATER THAN 36 INCHES IN DIAMETER, PROVIDED THAT NO JUNCTION EXISTS WITH ANY OTHER STORM DRAIN PIPE AT THE MANHOLE.
4. 2'-0" SQUARE OR ROUND HOLE MINIMUM SAW CUT THROUGH REINFORCED CONCRETE PIPE ONLY.

NO.	REVISED	BY	Type 2 Manhole for Pipe 36" Diameter and Larger	APPROVED
				 CITY ENGINEER RCE-28191
				DATE: 2-2-99
DRAWN BY: MCP			CITY OF RIPON	STANDARD NO. SD-13
CHECKED BY: DJR				
V:\25_City of Ripon Standards\Standard Specifications\Drawings\Storm\SD-13.dwg				