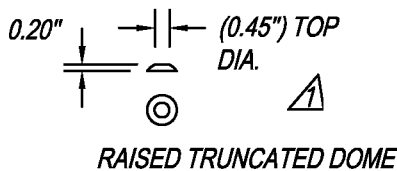
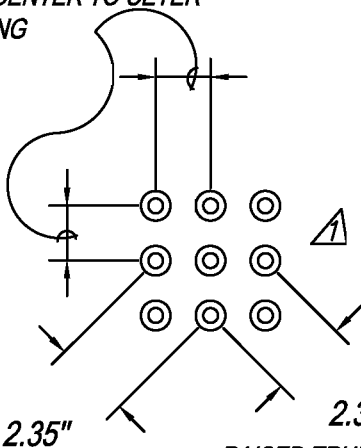


(1.66) CENTER TO CENTER SPACING



RAISED TRUNCATED DOME  
PATTERN (IN-LINE)  
DETECTABLE WARNING  
SURFACE

1/8" RADIUS (TYP)

NO.	REVISED	BY
△	11/10/04	MCP
DRAWN BY: MCP		
CHECKED BY: DJR		
V:\25_City of Ripon Standards\Standard Specifications\Drawings\Streets\st-29.dwg		

**Wheelchair Ramp  
Groove and Lip Detail and  
RAISED TRUNCATED DOME**

**CITY OF RIPON**

APPROVED  
*[Signature]*  
CITY ENGINEER RCE-28191  
DATE: 2-2-99

STANDARD NO. **ST-29**