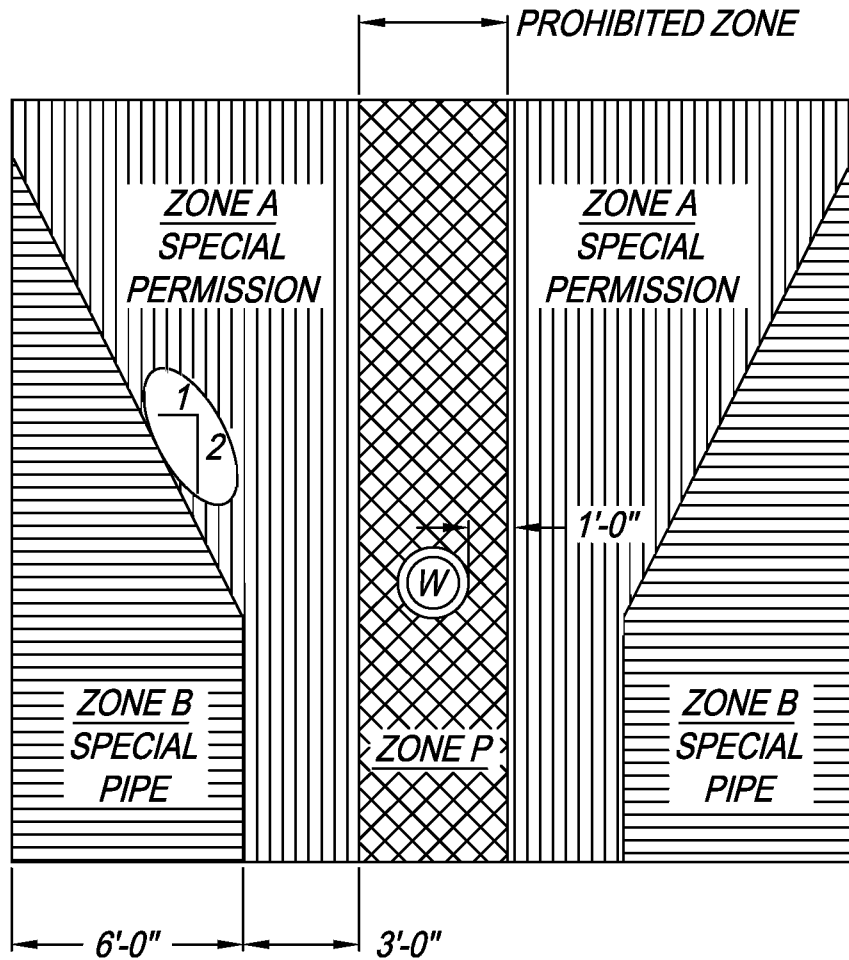
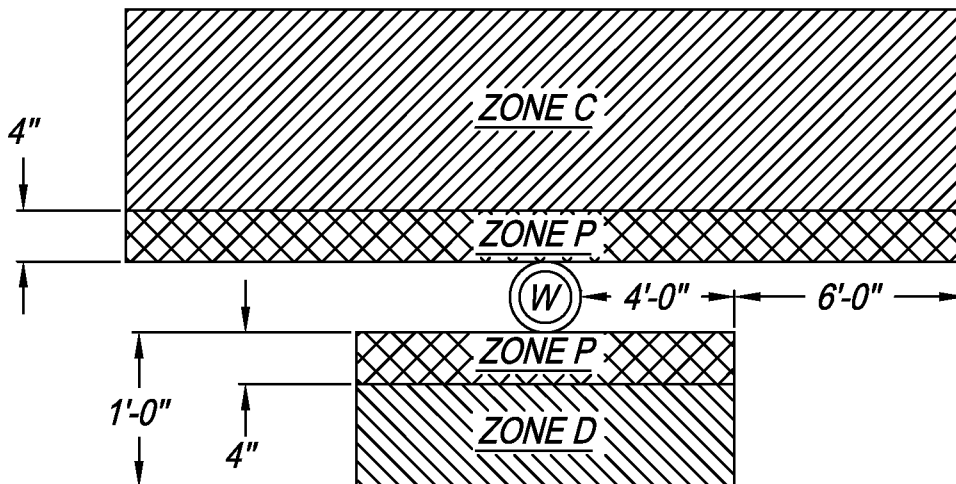


# CASE 1 - NEW SEWER OR STORM MAIN



**PARALLEL CONSTRUCTION**



**PERPENDICULAR (CROSSING) CONSTRUCTION**

NO.	REVISED	BY	<b>Criteria for the Separation of Water Mains from Sanitary Sewer and Storm Drains - Case 1</b>	APPROVED	
				CITY ENGINEER RCE-28191	
				DATE: 2-2-99	
DRAWN BY: MATT			<b>CITY OF RIPON</b>	STANDARD NO.	<b>W-7</b>
CHECKED BY: DJR					
V:\City of Ripon Standards\Standard Specifications\Drawings\Water\w-7.dwg					