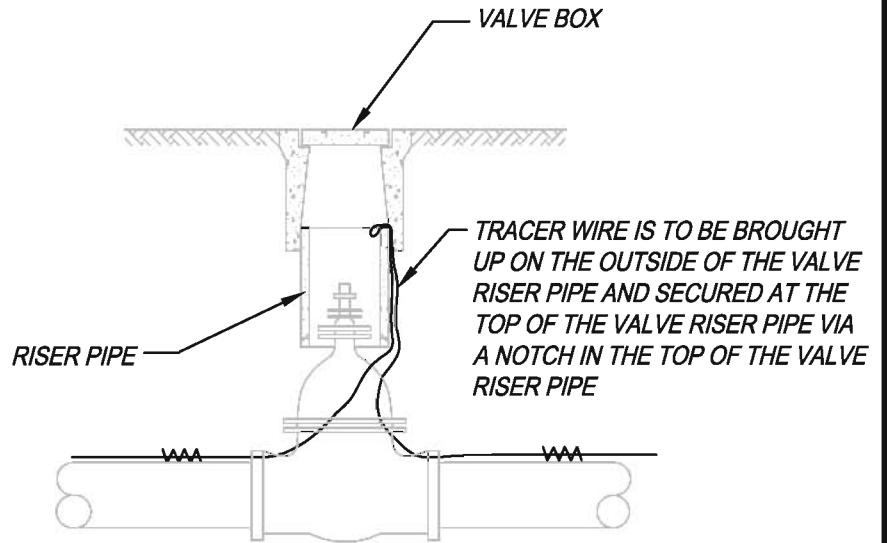


TYPICAL LAYOUT



VALVE DETAIL

APPROX. 6'-0" (SEE NOTE #2)

NOTES:

1. WIRE TO BE CONTINUOUS #10 AWG SINGLE STRAND INSULATED WIRE. INSULATION SHALL BE LIGHT OR BRIGHT IN COLOR.
2. WIRE SHALL BE SECURED TO THE CENTER OF THE TOP OF PIPE WITH TAPE AT 6 FOOT INTERVALS.
3. NO BARE WIRE IS TO TOUCH ANY VALVES OR FITTINGS.

NO.	REVISED	BY	Tracer Wire Installation Detail	APPROVED
				 CITY ENGINEER RCE-28191
				DATE: 2-2-99
DRAWN BY: MATT			CITY OF RIPON	STANDARD NO. W-9
CHECKED BY: DJR				
V:125_City of Ripon Standards Standard Specifications Drawings Water w-9.dwg				